

## The Original Pony Pump™

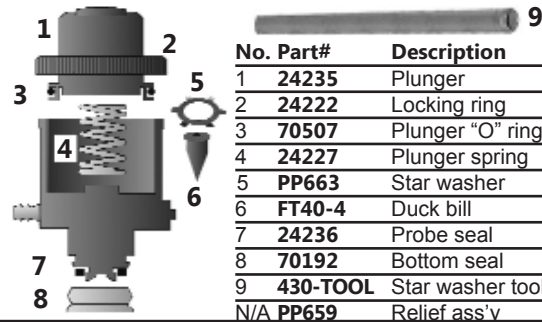


#POP-1 Compact and inexpensive. Fits all US Sankey kegs. Easy to install. Pressure release vent prevents over-pumping. Packaging and instructions make this pump great for retail.

	1-11	12-23	in stock case(24)	drop ship case(24)*
	\$17.95ea.	\$16.95ea.	\$15.95ea.	\$15.00ea.

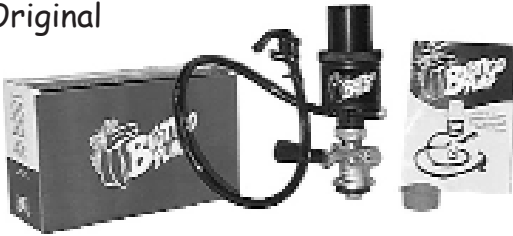
\*"drop ship" cases are shipped directly from the factory in Texas

## Pony Pump Parts



No.	Part#	Description	Cost
1	24235	Plunger	\$3.55
2	24222	Locking ring	1.95
3	70507	Plunger "O" ring	.95
4	24227	Plunger spring	.95
5	PP663	Star washer	.95
6	FT40-4	Duck bill	1.45
7	24236	Probe seal	.79
8	70192	Bottom seal	2.25
9	430-TOOL	Star washer tool	.95
N/A	PP659	Relief ass'y	3.95

## The Original Bronco Pump™

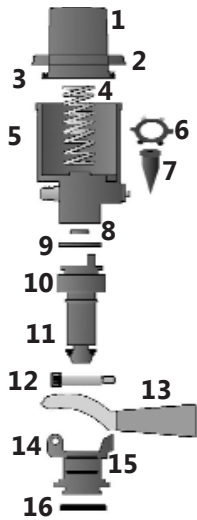


Developed as a "commercial" product, the Bronco Pump is made to stand up to the rigors of retail lending, rental and deposit programs.

Part#	Description	1-11	12-23	in stock case(24)	drop ship case(24)*
BRP-1	US Sankey	\$35.95ea.	\$33.95ea.	\$30.95ea.	\$29.95ea.
BRP-EUR	Euro Sankey	39.95ea.	36.95ea.	36.50ea.	34.50ea.

\*"drop ship" cases are shipped directly from the factory in Texas

## Bronco Pump Parts



No.	Part#	Description	Cost
1	24235	Plunger	\$3.55
2	24222	Locking ring	1.95
3	70507	Plunger "O" ring	.95
4	24227	Plunger spring	.95
5	70249-01	Body only(Plastic)	8.95
6	PP663	Star washer (ck)	.95
7	FT40-4	Duck bill (ck)	1.45
8	70510-01	Beer seal	.69
9	70227-01	Air seal	.79
10	70220-02	Coupling nut	2.95
11	70217-02	Probe assembly	11.95
12	70219-02	Hinge pin	1.95
13	70250-01	Handle assembly	9.85
14	70216-02	Coupler body-metal	10.50
15	FT-102	Body "O" ring	.59
16	108	Body washer	.89
N/A	PP659	Relief ass'y	3.95
N/A	PP686	Roll Pin Probe/pump	.59

## Serve Up to 4 Beers from One Keg at the Same Time.



#BRP-4 & #BRP-EUR-4

- ✓ Increases Beer Flow Up to 300%
- ✓ Reduces lines and waiting.
- ✓ Tested to deliver over 45 ounces of beer in 10 seconds (requires 28 pumps of air within that time to achieve this rate) With just 14 pumps of air and two faucets open it will deliver over 29 ounces in 10 seconds.



#BRP-4 Four Product U.S. Sankey Bronco Pump

1-5 \$61.95 6-UP \$55.95

#BRP-EUR-4 Four Product European Sankey Pump

1-5 \$65.95 6-UP \$62.95

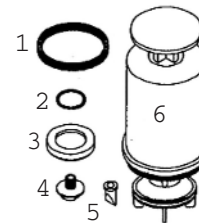
## Perlick Piston Party Pumps



- ✓ Each pump is individually pressure checked by factory for ability to create and retain pressure
- ✓ Palm-sized handle allows pumping of more air with less effort
- ✓ All metal coupler
- ✓ Individually boxed
- ✓ Convenient vent button helps control foaming
- ✓ Includes 2 foot vinyl hose with nylon faucet
- ✓ Easily disassembled for cleaning

In Stock for Quick Shipping!

Part#	Description	1-11	12-UP
40000B-PK	US Sankey Piston Party Pump	\$51.50	\$44.95



Piston Party Pump Replacement Parts

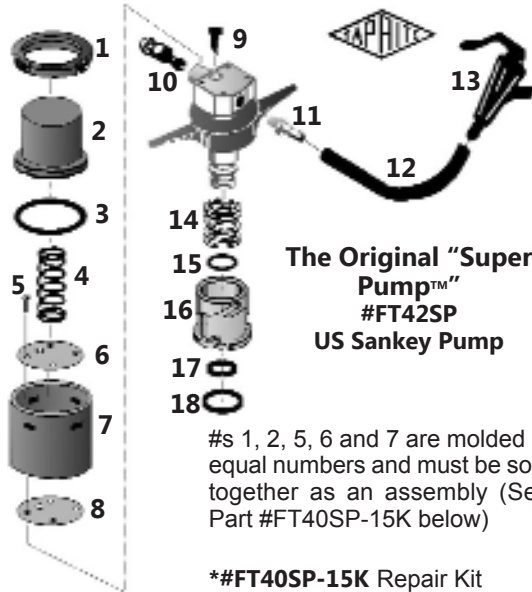
Item	Part#	Description	Cost
1	43437-1-PK	Quad ring	\$2.25
2	32697-1-PK	Probe O-ring	.85
3	108	Bottom seal washer	.89
4	32689-1-PK	Probe tip	3.45
5	32699-1-PK	Check valve	2.25
6	40098-PK	Cylinder & piston for piston & bellows pumps	14.95



**Super Pump™**

#FT42SP US Sankey pump with line and faucet  
1-11 12-23 24-UP  
\$37.95 \$33.95 \$32.50

#FT88-P Polymer plastic molded wing handle only (not shown) \$3.25



**The Original "Super Pump™"**  
#FT42SP  
US Sankey Pump

#s 1, 2, 5, 6 and 7 are molded in equal numbers and must be sold together as an assembly (See Part #FT40SP-15K below)

**\*#FT40SP-15K Repair Kit**  
Includes items 1, 2, 3, 4, 5, 6, 7, 9, 17, 18 & instructions **\$9.50**

**Super Pumps now feature a tougher, stronger plastic wing handle which resists cracking or breaking.**

No. Part#	Description	Cost
1 FT40-6	Cap	see #FT40SP-15K*
2 FT40-5N	Plunger	see #FT40SP-15K*
3 FT40-11	Quad ring	\$ .85
4 FT40-9N	Spring	.95
5 FT40-10	Screw(4 needed)	see #FT40SP-15K*
6 FT40-8-1	Inside plate	see #FT40SP-15K*
7 FT40-7N	Pump body	see #FT40SP-15K*
8 FT40-8	Plate	2.50
9 FT40-4	Duck bill	1.45
10 FT-115	Relief assembly	4.95
11 1778-2P	Nipple	1.85
12 600B	3/16" black hose(per ft)	See Pg 27
13 303A	Plastic faucet	2.55
14 FT-98	Spring	1.15
15 FT-102	Body "O" ring	.59
16 FT40-1	Body	<b>Not Available</b>
17 FT-103	Probe washer	.65
17 104	European probe washer	1.40
18 108	Body washer	.89

**Master List (which beers go with which keg couplers)**

**S=US Sankey**  
**TP=Twin Probe**  
**ES=European Sankey**

**DS=German Slider Type A (DS-100)**  
**BC=European Type G (BC-100)**  
**GC=European Type U (GC-100)**

**This list is for reference only.** Couplerage may vary by area. Please confirm keg coupler type with your local beer supplier.

Abbot Ale.....BC	De Dolle.....DS	John Courage.....ES	Pete's Wicked Ale..... S
Abby White.....GC	Delirium.....DS	JWDundeeHoneyBrown.....S	PilsnerUrquell.....ES
Abita(AllBrands).....S	DevilMountain.....S	Kilkenny.....GC	Portland.....S
Alaskan.....S	DogfishHead.....S	Killarney.....S	Pyramid.....S
Amstel(All Brands).....ES	Dos Equis.....S	Killian's Red.....S	Red Dog.....S
Anchor Steam.....BC	Double Diamond.....ES	Kronenbourg 1664.....DS	Red Hook.....S
AndersonValley.....S	EelRiver.....S	Labatt's(All Brands).....S	Red Wolf.....S
Avery(AllBrands).....S	Ellicottville.....S	Lagunitas.....S	Rhino Chasers.....TP
Ayinger(AllBrands).....DS	Evil Eye.....TP	Leffe.....ES	Rogue.....S
BadFrog.....S	FatTire.....S	LostCoast.....S	Rohrbach's.....S
Bass Ale.....BC	Fischer.....DS	Lowenbrau.....S & ES	Rolling Rock.....S
Bavik Pilsner.....DS	Firehouse.....S	MadRiver.....S	Sam Adams.....S
BayHawk.....S	Firestone.....S	Magners.....GS	Saranac.....S
BBC(AllBrands).....S	FlyingDog.....S	Matt's.....S & TP	Schaeffer.....TP
Beamish/Scottish Newcastle ES	Foster's.....S	McChouffe.....DS	Schlitz.....TP
Becks.....ES	FullSail.....S	McEwan's.....ES	Scottish Newcastle Brown.. ES
Belhaven.....ES	Fuller's.....BC	McSorley's.....TP	Shipyard.....S
Belle-Vue.....DS	Genesee(All Brands).....S	Michael Shea's.....S	Sierra Nevada.....S
Bitburger Pilsner.....DS	Gooselsland.....S	Michelob(All Brands).....S	Sir Perry William's.....BC
Blackthorn Cider.....BC	GordonBiersch.....S	Mickey's.....S	Smithwick's Irish Ale.....GC
Blue Moon.....S	Grants.....S	Middle Ages.(All Brands).....S	South Paw Light.....S
Boddington's.....GC	GreatDivide.....S	Miller.(All Brands).....S	Spaten.....DS
Breckenridge.....S	Grolsch.....BC	Milwaukee's Best.....S	St. Pauli Girl.....ES
Brooklyn(All Brands).....S	Guinness Stout.....GC	Modelo.....S	Stella Artois.....ES
BruinPaleAle.....S	Hacker-Pshorr.....DS	Molson(All Brands).....S	Strohs.....S
Budweiser(All Brands).....S	Hamms.....S	Moosehead.....S	Strongbow.....ES
Busch(All Brands).....S	Harp.....GC	Murphy's Irish Stout.....ES	Tecate.....S
Caffrey's.....BC	Harpoon.....S	NaturalIce(Light).....S	Tennet's.....BC
Cantillon Rose.....DS	Heineken.....ES	New Amsterdam.....TP	ThomasCreek.....S
Carlsberg.....S	HenryWeinhard's.....S	New Castle Brown Ale.....ES	Victoria Bitter.....DS
Chimay.....DS	High Falls(All Brands).....S	NorthCoast.....S	Warsteiner.....DS
Cider Jack.....S	Hoegaarden.....DS	O'Doul's.....S	Watney's.....BC
ClipperCityHeavySeas.....S	Hornsby's.....S	Old Milwaukee.....S	Weihenstephan.....DS
ColumbiaBrewing.....S	HudsonValley.....S	Old Speckled Hen.....BC	Weinhard's.....S
Coors(AllBrands).....S	Humboldt.....S	Old Vienna (OV).....S	Wexford Irish Cream Ale....BC
Corsendonk.....DS	Ice House (Miller).....S	Oskar'sBlues.....S	Woodchuck Cider.....S
Crooked River.....S	Iron City.....S & TP	Pabst(All Brands).....S	Woodpecker.....ES
Custom Brewcrafters.....S	Isenbeck.....DS	Palm.....DS	Yuengling.....S
DAB.....ES	Ithaca(All Brands).....S	Paulaner.....DS	Zebra.....S