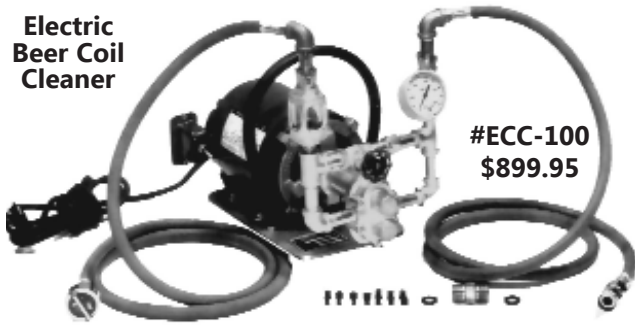


**Electric Beer Coil Cleaner**

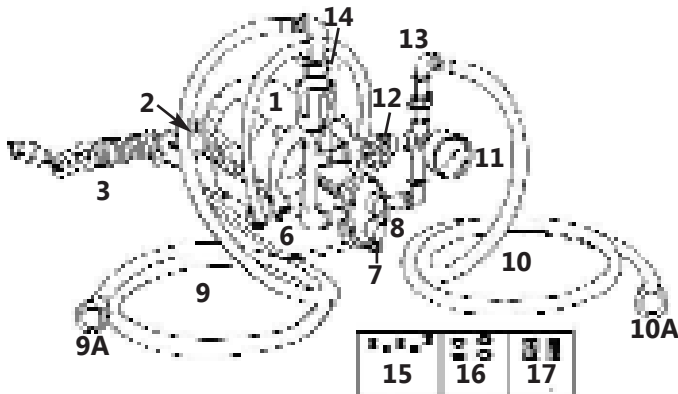


**#ECC-100**  
**\$899.95**

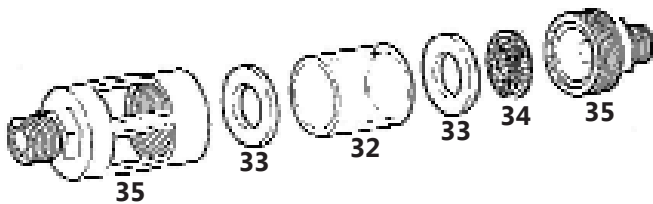
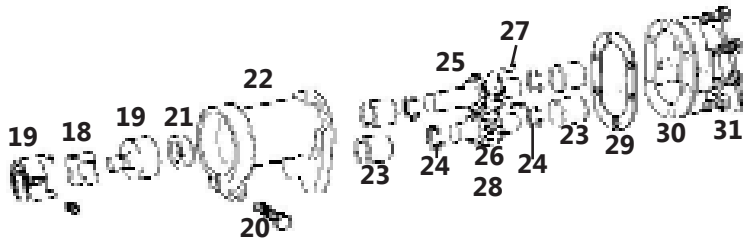
Great For Long Distance Runs! Pump is powerful and pressure is adjustable. Equipped with sight glass & gauge.

Every cleaner is shipped complete with:

- ✓ One 6 ft. suction hose (equipped with strainer to prevent entry of foreign matter into pump)
- ✓ One 6 ft. pressure hose (equipped with slip coupling for attaching to beer faucet)
- ✓ One double male connector (for coupling beer lines)
- ✓ Four fiber washers (2 for connector, 1 each for hoses)
- ✓ Sponge kit (used in larger lines for more thorough cleaning)
- ✓ One set parts list and operating instructions



Each unit is tested and inspected before being packaged in a specially designed carton. Ship weight 31 lbs.



**Sponges in Six Sizes**



**#104-110 Sponge Kit**

Standard package shipped with #ECC-100 cleaner. Includes 5 each 1/8", 3/16", 1/4", 5/16" sponges **\$3.05**

Part#	Diam.	1-24	25-UP
104-112	1/8"	\$.35	\$.25
104-113	3/16"	.35	.25
104-114	1/4"	.35	.25
104-115	5/16"	.35	.25
104-116	3/8"	.35	.25
104-118	1/2"	.35	.25

# Cleaning Equipment

**Major Visible Parts**

No.	Part#	Description	Cost
1	104-1	Motor, 115V	\$154.50
2	104-1E	Switch (toggle type)	11.95
2	104-1E1	Switch Mounting Box	12.95
2	104-1E2	Switch Box Cover Plate	6.25
3	104-1B	Cord only	11.95
6	104-3	Aluminum Base	43.95
7	104-3A	Rubber Feet (each)	1.35
8	104-2	Pump (complete w/bronze gears)	280.75
8	104-2PPS	Pump (complete w/plastic gears)	265.75

**Pump Parts**

9	104-5C6S	6 ft. Suction Hose Only	15.95
9	104-5C8S	8 ft. Suction Hose Only	18.50
9A	104-5B	Suction Strainer Ass'y	39.99
9A	104-5B1	Suction Strainer Fitting Body	18.99
9A	104-5B2	Suction Strainer Collar Nut	19.50
9A	104-5B3	Suction Strainer Screen	2.45
10	104-5C6P	6 ft. Pressure Hose Only	15.50
10	104-5C8P	8 ft. Pressure Hose Only	17.85
10	104-5C12P	12 ft. Pressure Hose Only	22.95
10A	4352T	Threaded Cleaning Attachment	13.75
11	104-7	Liquid Filled Pressure Gauge	20.75
12	104-6	By-Pass Valve	13.99
12	104-6H	By-Pass Valve Hand Wheel	3.50
13	104-2E	Pump to Motor Bracket	81.95
14	104-8	Handle	21.65
15	104-110	Sponge Kit	4.50
16	24R	Rubber Washers (each)	.18
17	SS-252	Double Male Connector	10.95

**Brass Fittings (Not Shown)**

N/A	104-31	3/8" x 1 1/2" Nipple	3.20
N/A	104-32	3/8" x 2" Nipple	2.95
N/A	104-33	3/8" Elbow	7.95
N/A	104-34	3/8" Tee	9.45
N/A	104-36	3/8" Flange Nipple	9.45

**Pump Parts**

18	104-2G	Spider	6.38
19	104-2F	Coupling (half)	14.75
20	104-2H	Screw	3.21
21	104-2B	Seal	15.75
N/A	104-SIT	Seal Installation Tool	21.95
22	104-2J	Cover Casting	95.95
23	104-2D	Carbon Bearings	14.95
24	104-2A1	Retaining Ring	6.50
N/A	104-2A1P	Retaining Ring Pliers	20.95
25	104-2A2	Drive Shaft only	18.50
26	104-2A3	Gear only (plastic)	39.95
27	104-2A4	Key	4.95
28	104-2A5	Idle Shaft	21.95
29	104-2C	Paper Gasket (older models)	1.65
29	104-2O	"O" Ring (newer models)	9.55
30	104-2K	Body Casting	69.95
31	104-2M	Screw (each)	2.95

**Replacement Parts for Bronze Gears (Not Shown)**

N/A	104-2AB1	Bronze drive gear ass'y	46.95
N/A	104-2AB2	Bronze idle gear ass'y	43.25

**Replacement Parts for Plastic Gears**

24, 25, 26, 27	#104-2AP1	Plastic drive gear ass'y	61.95
24, 26, 27, 28	#104-2AP2	Plastic idle gear ass'y	60.25

**Sight Glass Assembly**

32	104-4A	Pyrex Glass	8.15
33	104-4B	Gasket (each)	1.35
34	104-4C	Brass Screen	4.75
35	104-4D	Casting Set	52.50

Other parts available. If you don't see it, ask!

## Gear Pump Assemblies with Piping and Sight Glass

From time to time manufacture's designs specifications dimensions of gear pump may change making old piping difficult to reassemble on a replacement gear pump. These assemblies make replacement trouble free.

- 104-PAB** Bronze gear pump assembly with piping \$470.00
- 104-PAP** Plastic gear pump assembly with piping 445.00
- 104-PASB** Bronze gear pump assembly with piping and sight glass assy 535.00
- 104-PASP** Plastic gear pump assembly with piping and sight glass assy 510.00

# Beer Line Cleaning Equipment & Compounds

## Which Line Cleaner to Choose?

**Penetrate** for old "case hardened" lines and remote systems  
**B\*L\*C Beer Line Formula** our most popular cleaner for beer and soda applications.  
**Super No Rinse Powder** for draft system's CO2 cleaning pot, many direct draw systems, home draft units  
**Double Alkaline Cleaner** super strong liquid cleaner available for your toughest jobs  
**Powder Line Cleaner** most economical and powerful powder available  
**Acid Line Cleaner** for calcium oxalate build-up. Works where alkaline cleaners won't. Use every 6 cleanings to prevent deposit build-up.  
**Wine Line Cleaner** for wine, wine cooler, and soft drink dispensing systems. Formulated to remove tannins, tartrate, and pulp build up.

## How Clean Are Your Beer Lines?

### Normal Draft Beer Deposits Contain:

**Beer Stone:** Calcium from brewery grains, brownish deposit seen as tobacco-like flakes in beer.  
**Bacteria:** Beer is a "food" for bacteria. Yellow and green deposits.  
**Yeast:** Beer contains yeast, causing a creamy white deposit.  
**Alkaline Line Cleaners** combined with periodic use of an Acid Line Cleaner will take care of ALL of these pesky problems!

**Buy in Bulk Containers and Save \$\$\$!** All liquid cleaners are now available in 5 gallon, 15 gallon, 30 gallon, and 55 gallon Containers! Call for more details and pricing.



**Drum Pumps also available**



Liquid Cleaner

**Liquid Line Cleaners Penetrate & DAC Double Alkaline are both Brewery approved and rated to use only 1 oz. per gallon for a routine cleaning. Save \$\$\$! Compare what one oz. of these concentrates will produce to one oz. of another brand. Note all liquid line cleaners are rated at 1 oz. per gallon except BLC which is rated at 2 oz. per gallon.**



Part No.	Description	1-5	6-11	*12-UP
BLC-32**	BLC Line Formula	\$8.95	\$8.65	\$7.95
PEN-32**	Penetrate	9.95	9.75	8.15
DAC-32**	DAC Double Alkaline Cleaner	10.15	9.45	8.95
ALC-33**	ALC Acid Line Cleaner	10.30	9.25	8.55
WLC-33**	WLC Wine Line Cleaner	10.30	9.25	8.55

\*Call for pricing on multiple case purchases or for larger containers.  
 \*\* Suffix -32 denotes new 32 oz. bottle. Suffix -33 denotes 33 oz. bottle

Superior Packaging allows Classification as ORM-D to Save on Shipping Costs  
 The same great commercial line cleaning products which have been the industry standard for years have locking bottle caps and heavier duty boxes and no haz mat shipping fees! Compare to the competition & SAVE \$\$\$!

More Cleaning Products and Information Available in our "How To" 8-Page Cleaning Brochure!



### CLEAR-TAP Alkaline Liquid Line Cleaner with Food Grade Dye

**#CTAC-32 CLEAR TAP ALKALINE CLEANER.** Powerful alkaline cleaner with food grade dye to signal that cleaner is flushed out of line.

1-11	12-24	25-UP
\$9.80	\$8.90	\$8.50



**#BLC-04**  
Four ounces liquid BLC beer line cleaner

1-5	6-UP
\$2.55	\$2.45



**#ALLKLEAR-50**  
50 tablets in a jar.  
1-5 6-UP  
\$4.05 \$3.95

**ALLKLEAR TABLETS.** Just drop in a tablet with the alkaline when mixed with water. Dye will attach to alkaline and show color until rinse is complete. Ultra-safe food grade dyes are non-hazardous.

## Powder Line Cleaners

### Powder Cleaner 55 oz. Tubs

Part No.	Description	1-7	8-UP
SNR-1	SNR Super No-Rinse Line Cleaner	\$13.45	\$12.95
PLC-100	PLC Powder Line Cleaner	15.50	13.95

### Powder Cleaner 40 lb. Pails

Part No.	Description	1-7	8-UP
SNR-420	SNR Super No-Rinse Line Cleaner	86.95	76.95
PLC-420	PLC Powder Line Cleaner	89.95	79.95



**#WLC-3** Three pound container of powder wine line cleaner. **\$11.95**